



NOTES:

I. GENERAL NOTES

- 1. WORK SHALL CONFORM TO THE COUNTY OF SAN MATEO PUBLIC WORKS STANDARD DRAWINGS FOR PUBLIC IMPROVEMENTS, REVISED SEPTEMBER 2007 AND THE SAN MATEO COUNTY SEWER AND SANITATION DISTRICTS STANDARD SPECIFICATIONS, DATED JUNE 1995.
2. PERFORM WORK IN CONFORMANCE WITH THE RECOMMENDATION OF THE PROJECT GEOTECHNICAL ENGINEERING REPORT TITLED "UPDATED GEOTECHNICAL INVESTIGATION, HIGHLAND ESTATES LOTS 5 THROUGH 11, TICONDEROGA DRIVE/COBBLEHILL PLACE/COMPENS WAY, SAN MATEO COUNTY, CALIFORNIA" PREPARED BY CORNERSTONE EARTH GROUP, DATED OCTOBER 30, 2015. GRADING WORK WILL BE SUBJECT TO APPROVAL OF GEOTECHNICAL ENGINEER.
3. ARRANGE FOR REQUIRED INSPECTIONS BY COUNTY ENGINEER. NO DELAY OF WORK CLAIM WILL BE ALLOWED DUE TO CONTRACTOR'S FAILURE TO ARRANGE FOR REQUIRED COUNTY INSPECTIONS IN ADVANCE. PROVIDE NOTICE TO COUNTY ENGINEER A MINIMUM OF 2 WORKING DAYS IN ADVANCE OF REQUIRED INSPECTIONS.
4. REVISIONS TO THESE PLANS MUST BE REVIEWED AND APPROVED IN WRITING BY ENGINEER, WHO WILL OBTAIN APPROVAL FROM COUNTY ENGINEER PRIOR TO CONSTRUCTION OF AFFECTED ITEMS. REVISIONS SHALL BE ACCURATELY SHOWN ON REVISED PLANS, WHICH SHALL BE REVIEWED AND APPROVED BY THE ENGINEER AND COUNTY ENGINEER PRIOR TO INSTALLATION OF THE IMPROVEMENTS.
5. REPLACE OR REPAIR EXISTING UTILITIES, IMPROVEMENTS OR FEATURES DAMAGED, REMOVED, OR DISTURBED BY CONSTRUCTION TO THEIR ORIGINAL CONDITION, WHETHER SHOWN ON PLANS OR NOT.
6. REPLACE STREET MONUMENTS, LOT CORNERS PIPES AND OTHER PERMANENT MONUMENTS DISTURBED DURING CONSTRUCTION. MONUMENTS SHALL BE SET BY A SURVEYOR REGISTERED IN THE STATE OF CALIFORNIA.
7. PREPARE TRAFFIC CONTROL PLAN AND OBTAIN APPROVAL FROM COUNTY ENGINEER BEFORE COMMENCING WORK. PROVIDE FLAG MEN, CONES, BARRICADES AND OTHER TRAFFIC CONTROL MEASURES NECESSARY TO PROVIDE SAFE LANE CLOSURE IN CONFORMANCE WITH CALTRANS STANDARDS AND AS APPROVED BY COUNTY ENGINEER.
8. PEDESTRIAN TRAFFIC CONTROL TO BE PROVIDED WHEN EXISTING SIDEWALKS CANNOT BE MAINTAINED DURING CONSTRUCTION.
9. DO NOT LEAVE TRENCHES OPEN OVERNIGHT IN EXISTING STREET AREAS. BACKFILL OR COVER OPEN TRENCHES AT THE END OF WORK EVERY WORK DAY.
10. PREPARE SHORING PLAN AND SUBMIT TO THE COUNTY ENGINEER FOR REVIEW AND APPROVAL. ADEQUATELY SHORE EXCAVATIONS TO PREVENT EARTH FROM SLIDING OR SETTLING AND TO PROTECT EXISTING ADJACENT IMPROVEMENTS FROM DAMAGE. DAMAGE RESULTING FROM A LACK OF ADEQUATE SHORING SHALL BE THE CONTRACTOR'S RESPONSIBILITY. PROVIDE SHORING IN CONFORMANCE WITH APPLICABLE CONSTRUCTION SAFETY ORDERS OF THE CALIFORNIA DIVISION OF INDUSTRIAL SAFETY AND OSHA WHERE EXCAVATIONS ARE 5 FEET OR MORE IN DEPTH.
11. IMPLEMENT CONSTRUCTION DUST CONTROL MEASURES TO REDUCE PARTICULATE GENERATION TO A LESS THAN SIGNIFICANT LEVEL. PROVIDE DUST CONTROL IN CONFORMANCE WITH BAY AREA AIR QUALITY MANAGEMENT DISTRICT MINIMUM REQUIREMENTS. IMPLEMENT THE FOLLOWING CONSTRUCTION PRACTICES EXCEPT WHEN IT IS RAINING.
11.A. WATER ACTIVE EXTERIOR SOIL AREAS AT LEAST TWICE DAILY.
11.B. COVER TRUCKS HAULING SOIL, SAND AND OTHER LOOSE MATERIAL OR PROVIDE 2 FEET OF FREEBOARD.
11.C. PAVE, APPLY WATER THREE TIMES DAILY OR APPLY NON-TOXIC SOIL STABILIZER ON UNPAVED ACCESS ROADS, PARKING AREAS AND STAGING AREAS.
11.D. SWEEP PAVED ACCESS ROADS, PARKING AREAS AND STAGING AREAS DAILY.
11.E. APPLY HYDROSEED OR NON-TOXIC SOIL STABILIZER TO INACTIVE CONSTRUCTION AREAS.
11.F. ENCLOSE, COVER, WATER TWICE DAILY OR APPLY NON-TOXIC SOIL STABILIZER TO EXPOSED SOIL STOCKPILES.
11.G. INSTALL SANDBAGS AND OTHER EROSION CONTROL MEASURES TO PREVENT SILT RUNOFF TO PUBLIC ROADWAYS.
11.H. LIMIT TRAFFIC SPEED ON UNPAVED ROADS TO 15 MPH.
11.I. REPLANT VEGETATION IN DISTURBED AREAS AS QUICKLY AS POSSIBLE.
12. KEEP STREETS CLEAN OF DIRT, MUD AND OTHER CONSTRUCTION DEBRIS. CLEAN AND SWEEP STREETS ON A DAILY BASIS DURING THE WORK WEEK.
13. SHOULD IT APPEAR THAT THE WORK IS NOT SUFFICIENTLY DETAILED OR SPECIFIED IN CONSTRUCTION DOCUMENTS, NOTIFY ENGINEER AND OBTAIN CLARIFICATION BEFORE PROCEEDING WITH WORK IN QUESTION.
14. CONSTRUCTION STAKING SHALL BE DONE BY A CIVIL ENGINEER OR LAND SURVEYOR REGISTERED IN THE STATE OF CALIFORNIA.
15. IF BKF ENGINEERS IS RETAINED TO PROVIDE CONSTRUCTION STAKING SERVICES, CONTRACTOR WILL BE PROVIDED WITH ONE SET OF SURVEY STAKES FOR LAYOUT PURPOSES. PRESERVE AND PROTECT THESE STAKES UNTIL THEY ARE NO LONGER NEEDED. RESTAKING SHALL BE AT CONTRACTOR'S EXPENSE.
16. MATCH EXISTING PAVEMENT, CURB AND GUTTER, SIDEWALK, ADJACENT LANDSCAPE AND OTHER IMPROVEMENTS WITH SMOOTH TRANSITION TO AVOID ABRUPT OR APPARENT CHANGES IN GRADES, CROSS SLOPES, LOW SPOTS OR HAZARDOUS CONDITIONS.
17. VISIT SITE TO BECOME FAMILIAR WITH EXISTING CONDITIONS AND OVERALL PROJECT REQUIREMENT PRIOR TO BIDDING PROJECT.
18. OBTAIN AND PAY FOR PERMITS AND LICENSES AS REQUIRED TO PERFORM WORK WITHIN THE COUNTY OF SAN MATEO PRIOR TO START OF WORK. PERMITS MAY INCLUDE ENCROACHMENT PERMIT FOR WORK WITHIN COUNTY RIGHT-OF-WAY AND GRADING/UTILITY PERMIT.
19. CONTRACTOR IS RESPONSIBLE FOR TRAFFIC AND PEDESTRIAN CONTROL DURING CONSTRUCTION.
20. OBTAIN APPROVAL OF IMPORT SOIL MATERIAL FROM GEOTECHNICAL ENGINEER PRIOR TO DISTRIBUTING MATERIAL OVER SITE.
21. PROTECT ADJOINING PREMISES, TREES, LANDSCAPING, UTILITIES, SIDEWALKS, STREETS AND OTHER FEATURES FROM DAMAGE BY CONTRACTOR'S OPERATIONS. REPAIR, REPLACE OR CLEAN ADJOINING PREMISES, TREES, LANDSCAPING, UTILITIES, SIDEWALKS, STREETS AND OTHER FEATURES TO SATISFACTION OF OWNER.
22. MAINTAIN AND MANAGE CONSTRUCTION MATERIALS, EQUIPMENT AND VEHICLES AT THE CONSTRUCTION SITE.
23. NOTIFY COUNTY ENGINEER A MINIMUM OF 24 HOURS PRIOR TO STARTING WORK ON OFF-SITE DRAINAGE AND SEWER FACILITIES, GRADING, PAVING, OR WORK IN THE COUNTY RIGHT-OF-WAY.
24. MAKE EFFORTS TO MINIMIZE CONSTRUCTION NOISE.

- 24.A. MAINTAIN EQUIPMENT USED ON SITE IN GOOD MECHANICAL CONDITION TO MINIMIZE NOISE CREATED BY FAULTY OR POORLY MAINTAINED ENGINE, DRIVE-TRAIN AND OTHER COMPONENTS.
24.B. EQUIPMENT EXCEEDING 110 DBA MEASURED 25 FEET FROM THE PIECE OF EQUIPMENT WILL NOT BE ALLOWED ON SITE.
24.C. SELECT APPROPRIATE EQUIPMENT TO MINIMIZE NOISE GENERATION. USE THE FOLLOWING TECHNIQUES TO MINIMIZE NOISE GENERATION SUBJECT TO EQUIPMENT AVAILABILITY AND COST CONSIDERATIONS. USE SCRAPERS AS MUCH AS POSSIBLE FOR EARTH REMOVAL, RATHER THAN NOISIER LOADERS AND HAUL TRUCKS. USE BACKHOES FOR BACKFILLING AS IT IS QUIETER THAN DOZERS OR LOADERS. USE MOTOR GRADERS RATHER THAN BULLDOZERS FOR FINAL GRADING.

II. EXISTING CONDITIONS

- 1. EXISTING TOPOGRAPHIC INFORMATION SHOWN ON THESE PLANS IS BASED UPON A FIELD TOPOGRAPHIC SURVEY OF THE PROJECT SITE BY BKF ENGINEERS, DATED JUNE 2009. ACTUAL CONDITIONS ENCOUNTERED ON SITE MAY VARY FROM THOSE SHOWN ON THE PLANS. CONTRACTOR SHALL REVIEW CONSTRUCTION DOCUMENTS AND CONDUCT THEIR OWN INVESTIGATIONS TO UNDERSTAND AND VERIFY EXISTING CONDITIONS AT THE SITE.
2. EXISTING SUBSURFACE IMPROVEMENTS AND UTILITIES SHOWN ON THESE PLANS WERE TAKEN FROM RECORD INFORMATION KNOWN TO THE ENGINEER AND FIELD SURVEY OF ABOVE GRADE FEATURES. THESE PLANS ARE NOT MEANT TO BE A FULL CATALOG OF EXISTING SUBSURFACE CONDITIONS. CONDUCT FIELD INVESTIGATION TO VERIFY THE LOCATIONS AND ELEVATIONS OF EXISTING SUBSURFACE IMPROVEMENTS AND UTILITIES, WHETHER SHOWN ON PLANS OR NOT, PRIOR TO START OF EXCAVATION. IF DISCREPANCIES BETWEEN EXISTING CONDITIONS AND THESE PLANS ARE DISCOVERED, NOTIFY ENGINEER IMMEDIATELY AND REQUEST DISCREPANCY BE RESOLVED.
3. VERIFY LOCATION AND ELEVATION OF EXISTING UTILITIES PRIOR TO START OF CONSTRUCTION AFFECTING UTILITIES. POTHOLES WERE NEEDED TO VERIFY LOCATIONS AND ELEVATIONS OF EXISTING UTILITIES.
4. CONTACT USA (UNDERGROUND SERVICES ALERT) AT 1-800-227-2600, AND AFFECTED UTILITY COMPANIES A MINIMUM OF 2 WORKING DAYS PRIOR TO STARTING WORK TO REQUEST UTILITIES BE MARKED.

III. DEMOLITION

- 1. REMOVE FROM SITE AND DISPOSE OF IN LAWFUL MANNER EXISTING STRUCTURES, UTILITIES, AND OTHER FEATURES NOT REMOVED DURING DEMOLITION OR ROUGH GRADING AND ENCOUNTERED DURING WORK ON SITE.
1.A. REMOVE WOOD OR CONCRETE STRUCTURES, SLABS, FOOTINGS, GRADE BEAMS, DECKS, DOCKS, AND OTHER SIMILAR STRUCTURES.
1.B. REMOVE LANDSCAPING, UTILITIES AND IRRIGATION LINES AS SPECIFIED BY GEOTECHNICAL ENGINEER.
1.C. REMOVE ABANDONED IN-GROUND STRUCTURES, SUCH AS CULVERTS, UTILITY VAULTS, AND FOUNDATIONS AS SPECIFIED BY GEOTECHNICAL ENGINEER.

IV. DEWATERING

- 1. DEWATER AREAS COVERED WITH STANDING WATER PRIOR TO PLACEMENT OF FILL.
2. DISPOSE OF WATER FROM DEWATERING OPERATION IN CONFORMANCE WITH APPLICABLE LOCAL, STATE AND FEDERAL REGULATIONS.

V. UTILITIES

- 1. DO NOT OPERATE WATER VALVES OR OTHER WATER DISTRICT FACILITIES. REQUIRED OPERATION WILL BE PERFORMED BY UTILITY DISTRICT PERSONNEL ONLY. NOTIFY UTILITY DISTRICT 2 WORKING DAYS PRIOR TO REQUIRING FACILITY OPERATION.
2. PROVIDE MINIMUM 12 INCH VERTICAL CLEARANCE BETWEEN ADJACENT UTILITY PIPES AT UTILITY CROSSINGS UNLESS OTHERWISE NOTED.
3. COMPLETE ELECTRIC, GAS, TELEPHONE, CABLE AND OTHER JOINT TRENCH WORK IN CONFORMANCE WITH THE REQUIREMENTS OF THE RESPECTIVE UTILITY PROVIDER. NOTIFY UTILITY PROVIDER MINIMUM 2 WORKING DAYS PRIOR TO COMMENCING WORK. IF EXISTING WATER, SEWER, GAS OR OTHER UTILITY SERVICES ARE DISTURBED OR DAMAGED DURING CONSTRUCTION, NOTIFY UTILITY OWNER IMMEDIATELY.
4. PROTECT UTILITIES FROM DAMAGE CAUSED BY CONTRACTOR'S WORK.
5. PROVIDE UTILITY STRUCTURES IN PAVED AREAS SUITABLE FOR H-20 LOADING.
6. PIPE LENGTHS SHOWN ON PLANS ARE FOR ENGINEERING CALCULATIONS ONLY AND ARE NOT INTENDED AS BID QUANTITIES OR FOR ORDERING MATERIALS.
7. CONSTRUCT GRAVITY FLOW UTILITIES FROM DOWNSTREAM CONNECTION POINT TO UPSTREAM TERMINUS.
8. COORDINATE WITH COUNTY OF SAN MATEO AND CRYSTAL SPRINGS SANITATION DISTRICT FOR INSPECTION OF WORK ON DISTRICT FACILITIES.
9. ALL WATER LATERALS AND SERVICES SHALL BE INSTALLED TO THE STANDARDS OF THE CALIFORNIA WATER SERVICE COMPANY. EXISTING WATER MAINS OR LATERALS DAMAGED DURING CONSTRUCTION SHALL BE REPAIRED AND TESTED TO THE SATISFACTION OF THE WATER COMPANY.

VI. EARTHWORK AND GRADING

- 1. OFF-SITE IMPORT FILL MATERIAL SHALL CONFORM TO THE SPECIFICATIONS AND THE REQUIREMENTS OF THE GEOTECHNICAL REPORT.
2. TOPSOIL, ROOTS, VEGETABLE MATTER, TRASH AND DEBRIS WILL NOT BE CONSIDERED ACCEPTABLE FILL MATERIAL.
3. REMOVE DEBRIS FROM AREAS OF EARTHWORK PRIOR TO PLACING FILL OR STARTING GRADING OPERATIONS.
4. PLACE AND COMPACT FILL MATERIAL AS RECOMMENDED IN GEOTECHNICAL REPORT. PLACE FILL MATERIAL IN MAXIMUM 8 INCH UNCOMPACTED THICKNESS. COMPACTION BY FLOODING, PONDING OR JETTING WILL NOT BE PERMITTED.
5. CONTRACTOR SHALL MAKE HIS OWN DETERMINATION OF EARTHWORK QUANTITIES.

VII. RECORD DRAWINGS

- 1. KEEP ACCURATE RECORD OF THE FINAL LOCATION, ELEVATION AND DESCRIPTION OF WORK ON A COPY OF THE FINAL APPROVED CONSTRUCTION DOCUMENTS. NOTE THE LOCATIONS AND ELEVATIONS OF EXISTING IMPROVEMENTS ENCOUNTERED THAT VARY FROM THE LOCATIONS SHOWN ON THE IMPROVEMENT PLANS. PROVIDE COPY OF RECORD INFORMATION TO OWNER AT COMPLETION OF PROJECT AND WHEN REQUESTED.

VII. STATEMENT OF RESPONSIBILITY

- 1. CONSTRUCTION CONTRACTOR AGREES THAT IN ACCORDANCE WITH GENERALLY ACCEPTED CONSTRUCTION PRACTICES, CONSTRUCTION CONTRACTOR WILL BE REQUIRED TO ASSUME SOLE AND COMPLETE RESPONSIBILITY FOR JOB SITE CONDITIONS DURING THE COURSE OF CONSTRUCTION OF THE PROJECT, INCLUDING SAFETY OF ALL PERSONS AND PROPERTY. THIS REQUIREMENT SHALL BE MADE TO APPLY CONTINUOUSLY AND NOT BE LIMITED TO NORMAL WORKING HOURS, AND CONSTRUCTION CONTRACTOR FURTHER AGREES TO DEFEND, INDEMNIFY AND HOLD BOTH DESIGN PROFESSIONAL AND THE COUNTY OF SAN MATEO HARMLESS FROM ANY AND ALL LIABILITY, REAL OR ALLEGED, IN CONNECTION WITH THE PERFORMANCE OF WORK ON THIS PROJECT, EXCEPTING LIABILITY ARISING FROM THE SOLE NEGLIGENCE OF EITHER THE DESIGN PROFESSIONAL OR THE COUNTY OF SAN MATEO, RESPECTIVELY.

IX. UNAUTHORIZED CHANGES AND USES

- 1. THE ENGINEER PREPARING THESE PLANS WILL NOT BE RESPONSIBLE FOR, OR LIABLE FOR UNAUTHORIZED CHANGES TO OR USES OF THESE PLANS. ALL CHANGES TO THE PLANS MUST BE IN WRITING AND REQUIRE WRITTEN APPROVAL OF THE COUNTY ENGINEER AND THE PREPARER OF THESE PLANS.

X. DRAWING LANGUAGE

- 1. NOTES AND CALLOUTS ON DRAWINGS MAY USE IMPERATIVE LANGUAGE. REQUIREMENTS EXPRESSED IMPERATIVELY ARE TO BE PERFORMED BY THE CONTRACTOR UNLESS NOTED OTHERWISE.

CONDICTIONS OF APPROVAL NOTES

CONSTRUCTION NOTES

- 1. THE FIRST PHASE OF CONSTRUCTION SHALL REQUIRE 30 PERCENT OF CONSTRUCTION EQUIPMENT TO MEET TIER 1 EPA CERTIFICATION STANDARDS FOR CLEAN TECHNOLOGY. THE REMAINDER OF CONSTRUCTION EQUIPMENT (70 PERCENT), WHICH WOULD CONSIST OF OLDER TECHNOLOGIES, SHALL BE REQUIRED TO USE EMULSIFIED FUELS.
2. THE SECOND PHASE OF CONSTRUCTION SHALL REQUIRE 30 PERCENT OF CONSTRUCTION EQUIPMENT TO MEET TIER 2 EPA CERTIFICATION STANDARDS FOR CLEAN TECHNOLOGY AND 50 PERCENT TO MEET TIER 1 EPA CERTIFICATION STANDARDS. THE REMAINING 20 PERCENT OF CONSTRUCTION EQUIPMENT, WHICH WOULD CONSIST OF OLDER TECHNOLOGIES, SHALL USE EMULSIFIED FUELS.
3. FOR ALL LARGER VEHICLES, INCLUDING CEMENT MIXERS OR OTHER DEVICES THAT MUST BE DELIVERED BY LARGE TRUCKS, VEHICLES SHALL BE EQUIPPED WITH CARB LEVEL THREE VERIFIED CONTROL DEVICES.
4. WATER ALL ACTIVE CONSTRUCTION AREAS AT LEAST TWICE DAILY.
5. COVER ALL TRUCKS HAULING SOIL, SAND, AND OTHER LOOSE MATERIALS OR REQUIRE ALL TRUCKS TO MAINTAIN AT LEAST TWO FEET OF FREEBOARD.
6. PAVE, APPLY WATER THREE TIMES DAILY, OR APPLY NON-TOXIC SOIL STABILIZERS ON ALL UNPAVED ACCESS ROADS, PARKING AREAS, AND STAGING AREAS AT THE CONSTRUCTION SITES.
7. SWEEP DAILY (WITH WATER SWEEPERS) ALL PAVED ACCESS ROADS, PARKING AREAS, AND STAGING AREAS AT THE CONSTRUCTION SITES.
8. SWEEP PUBLIC STREETS ADJACENT TO CONSTRUCTION SITES DAILY (WITH WATER SWEEPERS) IF VISIBLE SOIL MATERIAL IS CARRIED ONTO THE STREETS.
9. HYDROSEED OR APPLY NON-TOXIC SOIL STABILIZERS TO INACTIVE CONSTRUCTION AREAS (PREVIOUSLY GRADED AREAS INACTIVE FOR TEN DAYS OR MORE).
10. ENCLOSE, COVER, WATER TWICE DAILY, OR APPLY NON-TOXIC SOIL BINDERS TO EXPOSED STOCKPILES (DIRT, SAND, ETC.). LIMIT TRAFFIC SPEEDS ON UNPAVED ROADS TO 15 MILES PER HOUR.
11. LIMIT TRAFFIC SPEEDS ON UNPAVED ROADS TO 15 MILES PER HOUR.
12. INSTALL SANDBAGS OR OTHER EROSION CONTROL MEASURES TO PREVENT SILT RUNOFF TO PUBLIC ROADWAYS.
13. REPLANT VEGETATION IN DISTURBED AREAS AS SOON AS POSSIBLE.
14. INSTALL WHEEL WASHERS FOR ALL EXITING TRUCKS OR WASH OFF THE TIRES OR TRACKS OF ALL TRUCKS AND EQUIPMENT LEAVING THE CONSTRUCTION SITE.
15. INSTALL WIND BREAKS AT THE WINDWARD SIDES OF THE CONSTRUCTION AREAS.
16. SUSPEND EXCAVATION AND GRADING ACTIVITIES WHEN WIND (AS INSTANTANEOUS GUSTS) EXCEEDS 25 MILES PER HOUR.

NOISE NOTES

- 1. EQUIPMENT AND TRUCKS USED FOR PROJECT GRADING AND CONSTRUCTION WOULD UTILIZE THE BEST AVAILABLE NOISE CONTROL TECHNIQUES (E.G., IMPROVED EXHAUST MUFFLERS, EQUIPMENT REDESIGN, USE OF INTAKE SILENCERS, DUCTS, ENGINE ENCLOSURES, AND ACOUSTICALLY-ATTENUATING SHIELDS OR SHROUDS) IN ORDER TO MINIMIZE CONSTRUCTION NOISE IMPACTS.
2. EQUIPMENT USED FOR PROJECT GRADING AND CONSTRUCTION WOULD BE HYDRAULICALLY OR ELECTRICALLY POWERED IMPACT TOOLS (E.G., JACK HAMMERS AND PAVEMENT BREAKERS) WHEREVER POSSIBLE TO AVOID NOISE ASSOCIATED WITH COMPRESSED AIR EXHAUST FROM PNEUMATICALLY-POWERED TOOLS. COMPRESSED AIR EXHAUST SILENCERS WOULD BE USED ON OTHER EQUIPMENT. OTHER QUIETER PROCEDURES WOULD BE USED SUCH AS DRILLING RATHER THAN IMPACT EQUIPMENT WHENEVER FEASIBLE.
3. THE GRADING AND CONSTRUCTION ACTIVITY WOULD BE KEPT TO THE HOURS OF 7:00 AM TO 7:00 PM, MONDAY THROUGH FRIDAY. SATURDAY HOURS (8:00 AM TO 5:00 PM) ARE PERMITTED UPON THE DISCRETION OF COUNTY APPROVAL BASED ON INPUT FROM NEARBY RESIDENTS AND BUSINESSES. SATURDAY CONSTRUCTION (8:00 AM TO 5:00 PM) WOULD BE ALLOWED ONCE THE BUILDINGS ARE FULLY ENCLOSED. NOISE GENERATING GRADING AND CONSTRUCTION ACTIVITIES SHALL NOT OCCUR AT ANY TIME ON SUNDAYS, THANKSGIVING AND CHRISTMAS.
4. RESIDENTIAL PROPERTY OWNERS WITHIN 200 FEET OF PLANNED CONSTRUCTION AREAS SHALL BE NOTIFIED OF THE CONSTRUCTION SCHEDULE IN WRITING, PRIOR TO CONSTRUCTION; THE PROJECT SPONSOR SHALL DESIGNATE A "DISTURBANCE COORDINATOR" WHO SHALL BE RESPONSIBLE FOR RESPONDING TO ANY LOCAL COMPLAINTS REGARDING CONSTRUCTION NOISE; THE COORDINATOR (WHO MAY BE AN EMPLOYEE OF THE DEVELOPER OR GENERAL CONTRACTOR) SHALL DETERMINE THE CAUSE OF THE COMPLAINT AND SHALL REQUIRE THAT REASONABLE MEASURES WARRANTED TO CORRECT THE PROBLEM BE IMPLEMENTED; A TELEPHONE NUMBER OF THE NOISE DISTURBANCE COORDINATOR SHALL BE CONSPICUOUSLY POSTED AT THE CONSTRUCTION SITE FENCE AND ON THE NOTIFICATION SENT TO NEIGHBORS ADJACENT TO THE SITE.

ASBESTOS NOTES

- 1. IF NATURALLY OCCURRING ASBESTOS IS IDENTIFIED AT THE SITE, A SITE HEALTH AND SAFETY (H&S) PLAN INCLUDING METHODS FOR CONTROL OF AIRBORNE DUST SHALL BE PREPARED. THIS PLAN SHALL BE REVIEWED AND APPROVED BY THE COUNTY OF SAN MATEO PRIOR TO GRADING IN AREAS UNDERLAIN BY SERPENTINE-BEARING SOILS OR BEDROCK AND NATURALLY OCCURRING ASBESTOS. THE H&S PLAN SHALL STRICTLY CONTROL DUST-GENERATING EXCAVATION AND COMPACTION OF MATERIAL CONTAINING NATURALLY OCCURRING ASBESTOS. THE PLAN SHALL ALSO IDENTIFY SITE-MONITORING ACTIVITIES DEEMED NECESSARY DURING CONSTRUCTION (E.G., AIR MONITORING). WORKER MONITORING SHALL ALSO BE PERFORMED AS APPROPRIATE. THE PLAN SHALL DEFINE PERSONAL PROTECTION METHODS TO BE USED BY CONSTRUCTION WORKERS. ALL WORKER PROTECTION AND MONITORING SHALL COMPLY WITH PROVISIONS OF THE MINING SAFETY AND HEALTH ADMINISTRATION (MSHA) GUIDELINES, CALIFORNIA DIVISION OF OCCUPATIONAL SAFETY AND HEALTH (DOSH), AND THE FEDERAL OCCUPATIONAL SAFETY AND HEALTH ADMINISTRATION (OSHA).
2. IF NATURALLY OCCURRING ASBESTOS IS FOUND AT THE SITE, A SOIL MANAGEMENT PLAN SHALL BE DEVELOPED AND APPROVED BY THE COUNTY PLANNING DEPARTMENT TO PROVIDE DETAILED DESCRIPTIONS OF THE CONTROL AND DISPOSITION OF SOILS CONTAINING NATURALLY OCCURRING ASBESTOS. SERPENTINE MATERIAL PLACED AS FILL SHALL BE SUFFICIENTLY BURIED IN ORDER TO PREVENT EROSION BY WIND OR SURFACE WATER RUNOFF, OR EXPOSURE TO FUTURE HUMAN ACTIVITIES, SUCH AS LANDSCAPING OR SHALLOW TRENCHES. ADDITIONALLY, THE BAAQMD SHALL BE NOTIFIED PRIOR TO THE START OF ANY EXCAVATION IN AREAS CONTAINING NATURALLY OCCURRING ASBESTOS.

GRADING NOTES

- 1. NO GRADING SHALL BE ALLOWED DURING THE WINTER SEASON (OCTOBER 15 TO APRIL 30) TO AVOID POTENTIAL SOIL EROSION UNLESS APPROVED, IN WRITING, BY THE COMMUNITY DEVELOPMENT DIRECTOR. THE PROPERTY OWNERS SHALL SUBMIT A LETTER TO THE CURRENT PLANNING SECTION AT LEAST TWO WEEKS PRIOR TO COMMENCEMENT OF GRADING, STATING THE DATE WHEN GRADING WILL BEGIN.

TREE PROTECTION NOTES

- 1. THE APPLICANT SHALL ESTABLISH AND MAINTAIN TREE PROTECTION ZONES THROUGHOUT THE ENTIRE LENGTH OF THE PROJECT. TREE PROTECTION ZONES SHALL BE DELINEATED USING 4-FOOT TALL ORANGE PLASTIC FENCING SUPPORTED BY POLES POUNDED INTO THE GROUND, LOCATED AS CLOSE TO THE DRUPLES AS POSSIBLE WHILE STILL ALLOWING ROOM FOR CONSTRUCTION/GRADING TO SAFELY CONTINUE. THE APPLICANT SHALL MAINTAIN TREE PROTECTION ZONES FREE OF EQUIPMENT AND MATERIALS STORAGE AND SHALL NOT CLEAN ANY EQUIPMENT WITHIN THESE AREAS. SHOULD ANY LARGE ROOTS OR LARGE MASSES OF ROOTS NEED TO BE CUT, THE ROOTS SHALL BE INSPECTED BY A CERTIFIED ARBORIST OR REGISTERED FORESTER PRIOR TO CUTTING. ANY ROOT CUTTING SHALL BE MONITORED BY AN ARBORIST OR FORESTER AND DOCUMENTED. ROOTS TO BE CUT SHOULD BE SEVERED CLEANLY WITH A SAW OR TOPPERS. NORMAL IRRIGATION SHALL BE MAINTAINED, BUT OAKS SHOULD NOT NEED SUMMER IRRIGATION. THE ABOVE INFORMATION SHALL BE ON-SITE AT ALL TIMES.

VEGETATION REMOVAL/REPLACEMENT NOTES

- 1. VEGETATION REMOVED IN AREAS OUTSIDE OF BUILDING FOOTPRINTS, DRIVEWAYS, AND CONSTRUCTION ACCESS AREAS SHALL BE REPLACED WITH DROUGHT-TOLERANT, NON-INVASIVE PLANTS, IMMEDIATELY AFTER GRADING IS COMPLETE IN THAT AREA. PRIOR TO THE ISSUANCE OF ANY BUILDING PERMITS, THE APPLICANT SHALL SUBMIT PHOTOGRAPHS DEMONSTRATING COMPLIANCE WITH THIS CONDITION TO THE CURRENT PLANNING SECTION, SUBJECT TO REVIEW AND APPROVAL BY THE COMMUNITY DEVELOPMENT DIRECTOR.
2. THE APPLICANT SHALL REPLACE ALL VEGETATION REMOVED IN ALL AREAS NOT COVERED BY CONSTRUCTION WITH DROUGHT-TOLERANT, NON-INVASIVE PLANTS, ONCE CONSTRUCTION IS COMPLETED. PRIOR TO THE CURRENT PLANNING SECTION'S FINAL APPROVAL OF ANY BUILDING PERMIT, THE APPLICANT SHALL SUBMIT PHOTOGRAPHS DEMONSTRATING COMPLIANCE WITH THIS CONDITION, SUBJECT TO REVIEW AND APPROVAL BY THE COMMUNITY DEVELOPMENT DIRECTOR.

DUST CONTROL NOTES

- 1. ALL GRADED SURFACES AND MATERIALS, WHETHER FILLED, EXCAVATED, TRANSPORTED OR STOCKPILED, SHALL BE WETTED, PROTECTED OR CONTAINED IN SUCH A MANNER AS TO PREVENT ANY SIGNIFICANT NUISANCE FROM DUST, OR SPILLAGE UPON ADJOINING WATER BODY, PROPERTY, OR STREETS. EQUIPMENT AND MATERIALS ON THE SITE SHALL BE USED IN SUCH A MANNER AS TO AVOID EXCESSIVE DUST. A DUST CONTROL PLAN MAY BE REQUIRED AT ANYTIME DURING THE COURSE OF THE PROJECT.
2. A DUST PALLIATIVE SHALL BE APPLIED TO THE SITE WHEN REQUIRED BY THE COUNTY. THE TYPE AND RATE OF APPLICATION SHALL BE RECOMMENDED BY THE SOILS ENGINEER AND APPROVED BY THE DEPARTMENT OF PUBLIC WORKS, THE PLANNING AND BUILDING DEPARTMENT'S GEOTECHNICAL SECTION, AND THE REGIONAL WATER QUALITY CONTROL BOARD.

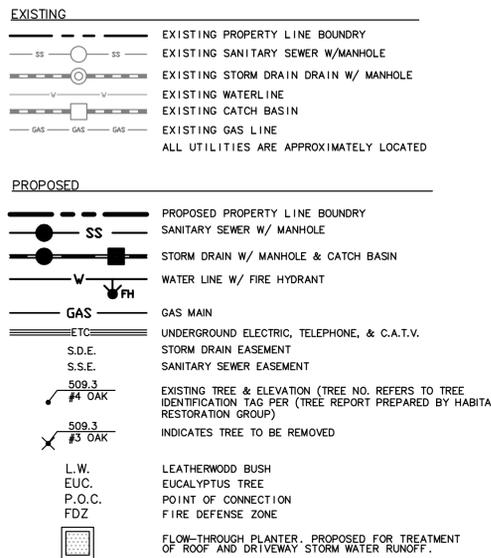
DISCOVERY OF HUMAN REMAINS NOTE

- 1. THE APPLICANT AND CONTRACTORS MUST BE PREPARED TO CARRY OUT THE REQUIREMENTS OF CALIFORNIA STATE LAW WITH REGARD TO THE DISCOVERY OF HUMAN REMAINS DURING CONSTRUCTION, WHETHER HISTORIC OR PREHISTORIC. IN THE EVENT THAT ANY HUMAN REMAINS ARE ENCOUNTERED DURING SITE DISTURBANCE, ALL GROUND-DISTURBING WORK SHALL CEASE IMMEDIATELY AND THE COUNTY CORONER SHALL BE NOTIFIED IMMEDIATELY. IF THE CORONER DETERMINES THE REMAINS TO BE NATIVE AMERICAN, THE NATIVE AMERICAN HERITAGE COMMISSION SHALL BE CONTACTED WITHIN 24 HOURS. A QUALIFIED ARCHAEOLOGIST, IN CONSULTATION WITH THE NATIVE AMERICAN HERITAGE COMMISSION, SHALL RECOMMEND SUBSEQUENT MEASURES FOR DISPOSITION OF THE REMAINS.

GEOTECHNICAL INSPECTION NOTE

- 1. PRIOR TO ISSUANCE OF BUILDING PERMITS, THE PROJECT GEOTECHNICAL CONSULTANT SHALL FIELD INSPECT (AND INVESTIGATE, AS NEEDED) ALL PROPOSED DRAINAGE DISCHARGE LOCATIONS AND VERIFY THAT PROPOSED DRAINAGE DESIGNS ARE ACCEPTABLE FROM A SLOPE STABILITY/EROSION PERSPECTIVE OR RECOMMEND APPROPRIATE MODIFICATIONS.

LEGEND



ABBREVIATIONS

Table with 3 columns: Abbreviation, Full Name, and Full Name. Includes entries like AC (ASPHALTIC CONCRETE), BEG (BEGINNING), BL (BAY LAUREL), BLDG COR (BUILDING CORNER), BOT (BOTTOM), BOW (GRADE AT BOTTOM OF WALL), BW (BACK OF WALK), CB (CATCH BASIN), CL (CENTERLINE), CLF (CHAIN LINK FENCE), CMP (CORRUGATED METAL PIPE), CO (CLEANOUT), CONC (CONCRETE), CU (COPPER), DG (DECOMPOSED GRANITE), DI (DRAIN INLET), DW (DOMESTIC WATER), EG (EXISTING GRADE), EP (EDGE OF PAVEMENT), EUCAL (EUCALYPTUS TREE), EX (EXISTING), EX (E) (FACE OF CURB), FC (FINISH FLOOR), FOC (FINISH GRADE), FF (FLOW LINE), FL (FENCE), FNC (FLOW THROUGH PLANTER), FTP (FIRE WATER), FW (GRADE BREAK), GB (GARAGE FINISH FLOOR), GFF (GAS METER), GM (GROUND SHOT), GND (GRATE), GR (EDGE OF GRAVEL ROAD), GW (GUY WIRE), INV (INVERT), JVP (JOINT POLE), L (LENGTH), LF (LINEAR FEET), LG (LIP OF GUTTER), NIC (NOT IN CONTRACT), O (OAK TREE), P (PEPPER TREE), PD (PLANNED DEVELOPMENT), PINE (PINE TREE), PUE (PUBLIC UTILITY EASEMENT), PVC (POLYVINYL CHLORIDE PIPE), RCP (REINFORCED CONCRETE PIPE), RDW (REDWOOD TREE), RET WALL (RETAINING WALL), ROW (RIGHT OF WAY), RPB (REDUCED PRESSURE BACKFLOW), RSL (RAIN WATER LEADER), S (SLOPE), SD (STORM DRAIN), SDCB (STORM DRAIN CATCH BASIN), SDDC (STORM DRAIN CLEANOUT), SDDI (STORM DRAIN DROP INLET), SDMH (STORM DRAIN MANHOLE), SS (SANITARY SEWER), SSCO (SANITARY SEWER CLEAN OUT), SSMH (SANITARY SEWER MANHOLE), T (TREE), TC (TOP OF CURB), TOE (TOE OF SLOPE), TOP (TOP OF SLOPE), TOW (TOP OF WALL), TYP (TYPICAL), UB (UTILITY BOX), VC (VERTICAL CURVE), VCP (VITRIFIED CLAY PIPE), W (WATER), WM (WATER METER), WV (WATER VALVE).

BENCHMARK:

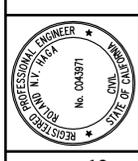
THE PROJECT BENCHMARK IS THE TOP OF AN IRON PIPE, ELEVATION OF 538.23, LOCATED WITHIN A MONUMENT BOX AT THE INTERSECTION OF THE CENTERLINES OF COBBLEHILL PLACE AND NEW BRUNSWICK DRIVE IN SAN MATEO, CALIFORNIA. THE ELEVATION SHOWN IN BASED UPON A SURVEY BY BKF ENGINEERS IN MARCH OF 2011 AND IS BASED UPON AN ASSUMED ELEVATION.

BASIS OF BEARINGS:

THE BEARING NORTH 76° 09' 00" EAST OF THE CENTERLINE OF COBBLE HILL PLACE AS SHOWN ON TRACT MAP NO. 723, THE HIGHLANDS, RECORDED ON AUGUST 26TH, 1955, IN VOLUME 43 OF MAPS AT PAGES 23-25, SAN MATEO COUNTY RECORDS.

DRAWING NAME: K:\E\0905\950168\dwg\CD\Lot\_11\CD11\_20-HEGDNT.dwg
PLOT DATE: 11-29-16
PLOTTED BY: T.cot

255 SHORELINE DRIVE, SUITE 200
REDWOOD CITY, CA 94065
PHONE: (650) 482-6300
FAX: (650) 482-6399



HIGHLAND ESTATES
LOT 11 IMPROVEMENT PLANS
GENERAL NOTES, LEGEND AND ABBREVIATIONS
CALIFORNIA
SAN MATEO COUNTY
CITY OF SAN MATEO

Table with columns: No., Date, Scale, Design, Drawn, Approved, Job No. Includes a row for Revisions and a row for Job No. 950168-20.

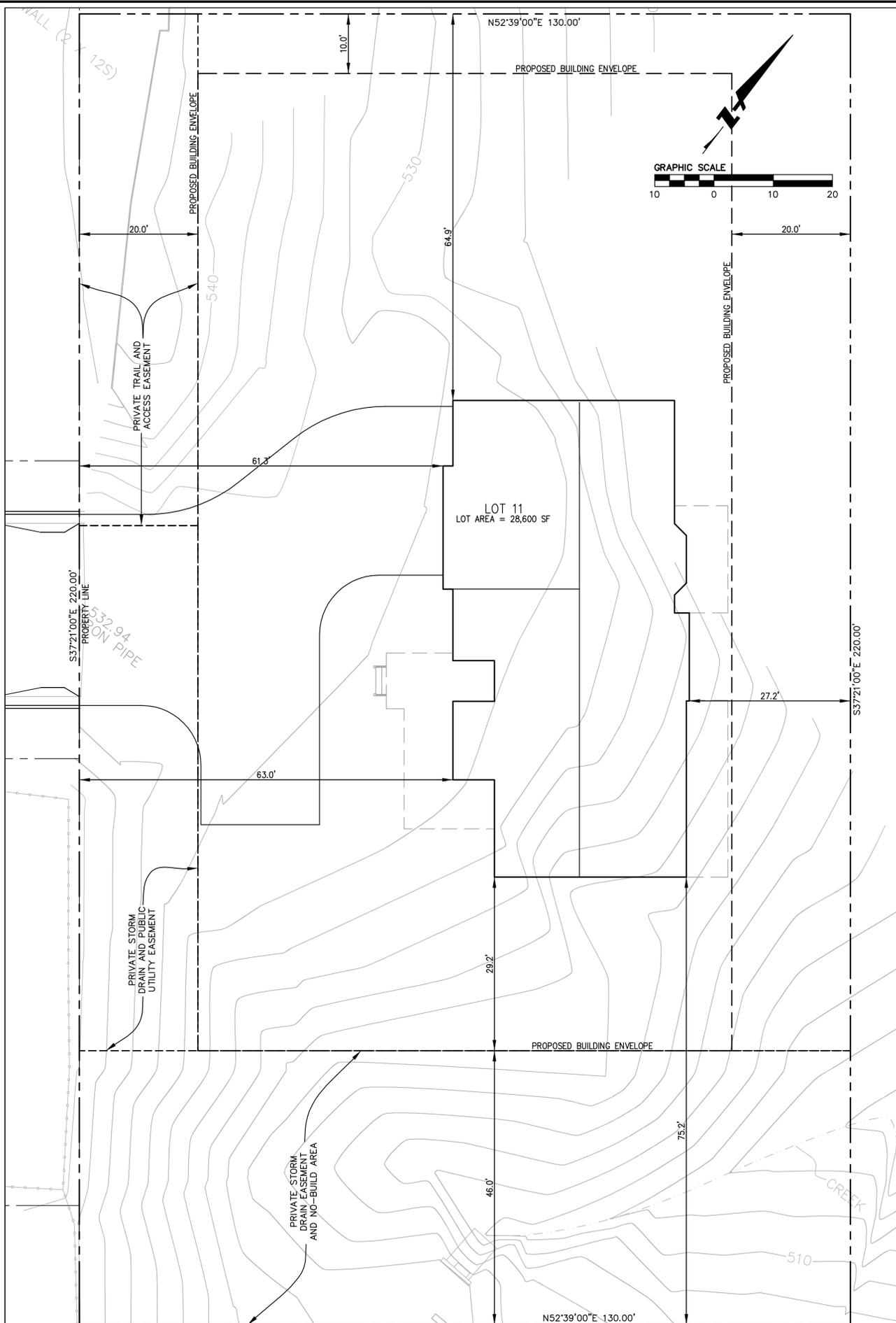


Know what's below.
Call before you dig.

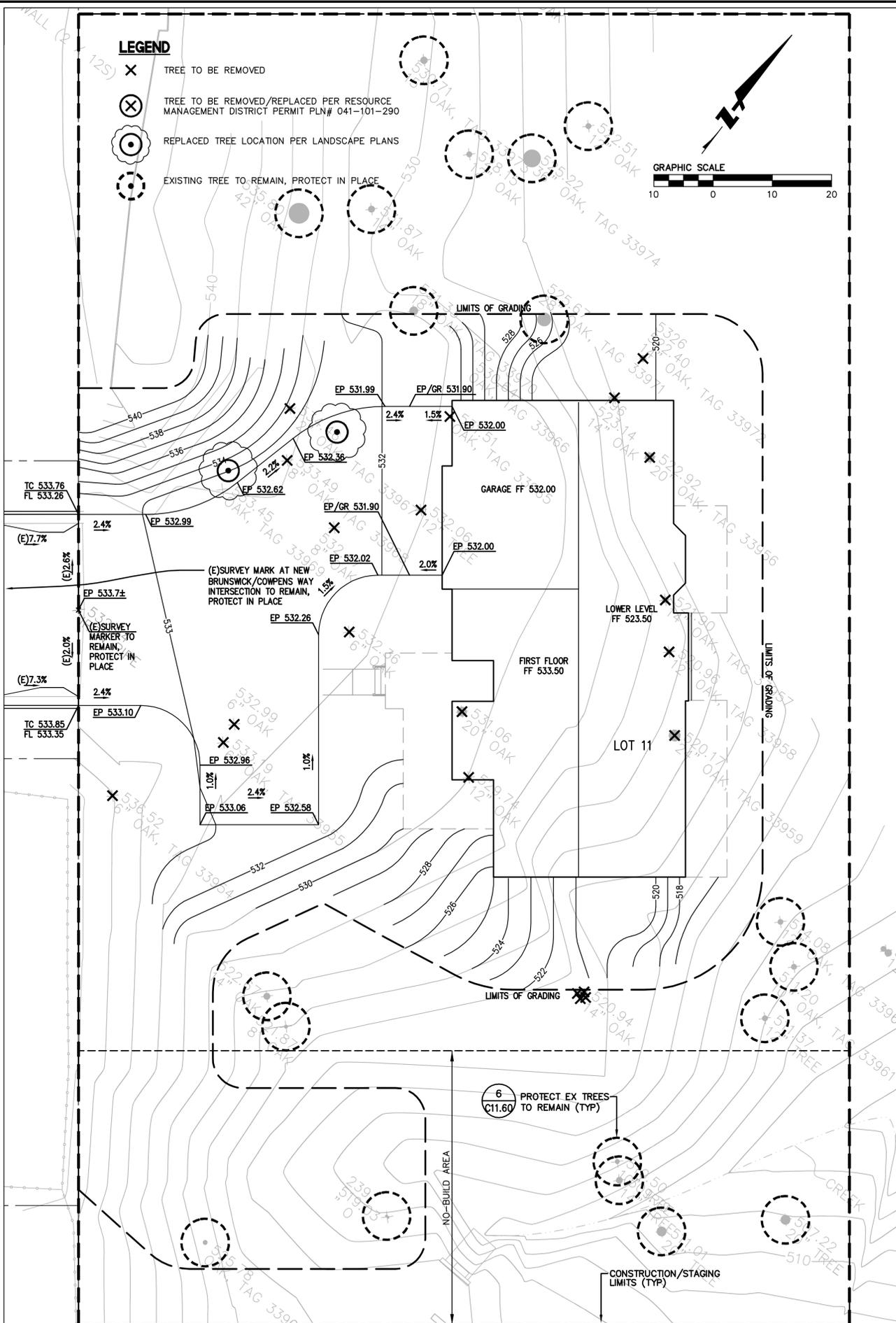
C11.20

OF

DRAWING NAME: K:\E\95168\dwg\CD\Lot\_11\C11\_30-HECDSP.dwg  
 PLOT DATE: 11-29-16  
 PLOTTED BY: trcat

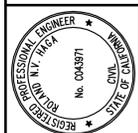


**LOT 11  
 SITE PLAN**  
 SCALE: 1"=10'



**LOT 11  
 CLEARING, CONSTRUCTION, AND GRADING PLAN**  
 SCALE: 1"=10'

255 SHORELINE DRIVE, SUITE 200  
 REDWOOD CITY, CA 94065  
 PHONE: (650) 482-6300  
 FAX: (650) 482-6399



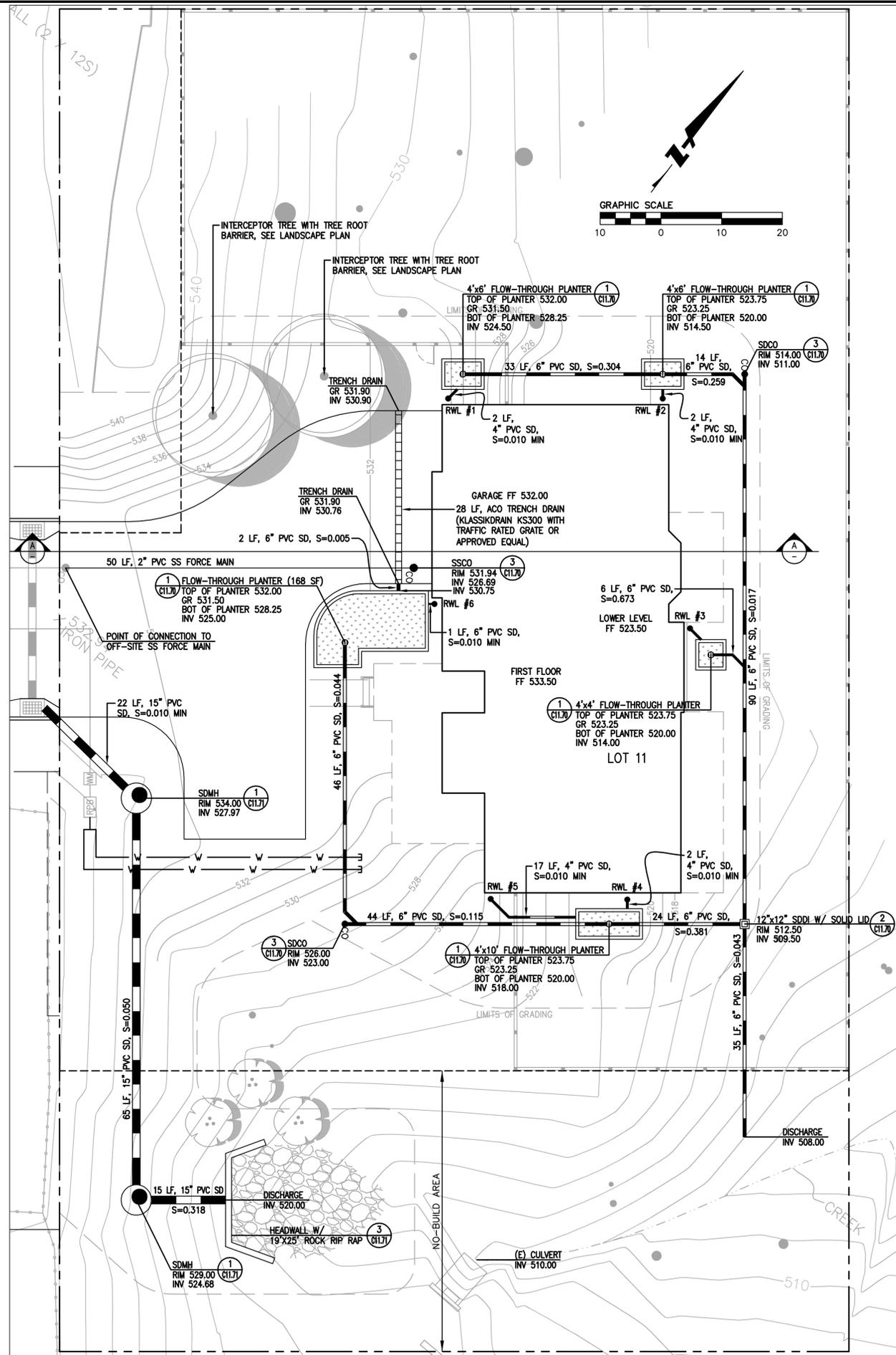
**HIGHLAND ESTATES  
 LOT 11 IMPROVEMENT PLANS  
 SITE & CLEARING, CONSTRUCTION AND GRADING PLANS**  
 CITY OF SAN MATEO SAN MATEO COUNTY CALIFORNIA

Revisions	
No.	Date
	11/29/2016
	Scale AS SHOWN
	Design JT
	Drawn LE
	Approved RH
	Job No. 950168-20

Sheet Number:  
**C11.30**  
 OF

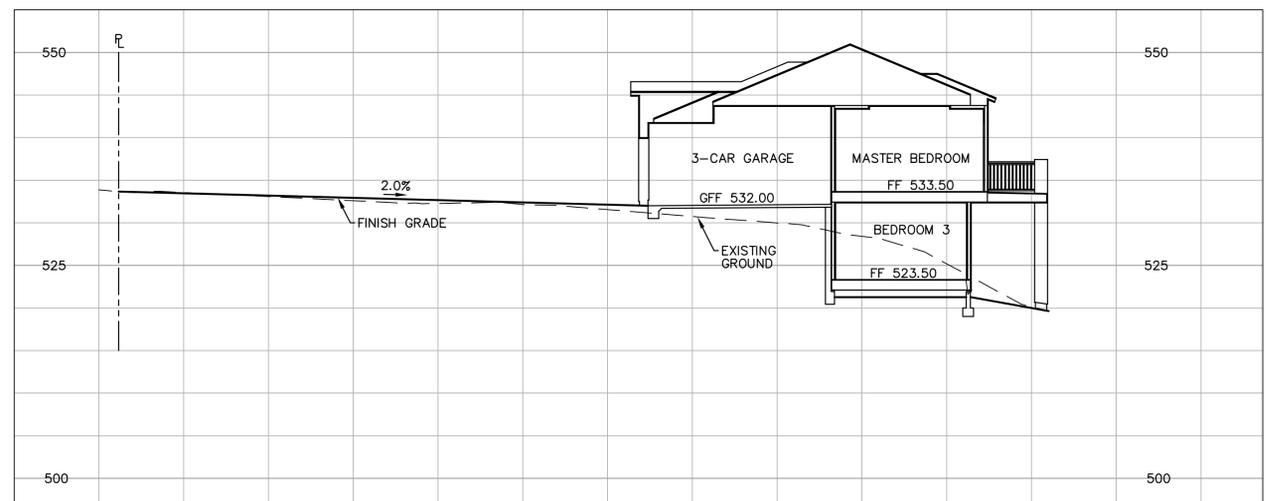
Revisions	
No.	Description

DRAWING NAME: K:\Projects\950168\dwg\CD\Lot11\C11.40-HECDSP.dwg  
 PLOT DATE: 11-29-16  
 PLOTTED BY: trat



**LOT 11  
 UTILITY PLAN**  
 SCALE: 1"=10'

- NOTES:**
- PER THE GEOTECHNICAL REPORT, UNDOCUMENTED FILL WAS MAPPED AT LOT 11 AND IF THIS FILL IS TO BE LEFT IN PLACE DURING HOUSE AND DRIVEWAY GRADING, IT SHOULD BE REMOVED AND REPLACED AS PROPERLY COMPACTED ENGINEERED FILL.
  - PER THE GEOTECHNICAL REPORT, ALL EXISTING FILLS SHOULD BE COMPLETELY REMOVED FROM WITHIN PROPOSED HOUSE FOOTPRINT AND DRIVEWAY AREAS AND TO A LATERAL DISTANCE OF AT LEAST 2 FEET BEYOND THE EDGE OF THE IMPROVEMENTS. ANY EXCESS MATERIAL SHALL BE DISPOSED OF OFF-SITE IN A LAWFUL MANNER.
  - PER THE GEOTECHNICAL REPORT, ALL BUILDING AND RETAINING WALLS SHOULD BE SUPPORTED ON DRILLED PIERS. THE FOUNDATION SHOWN ON THIS PLAN ARE SCHEMATIC. REFER TO THE PROJECT STRUCTURAL PLANS FOR DETAILS ON THE DRILLED PIERS.



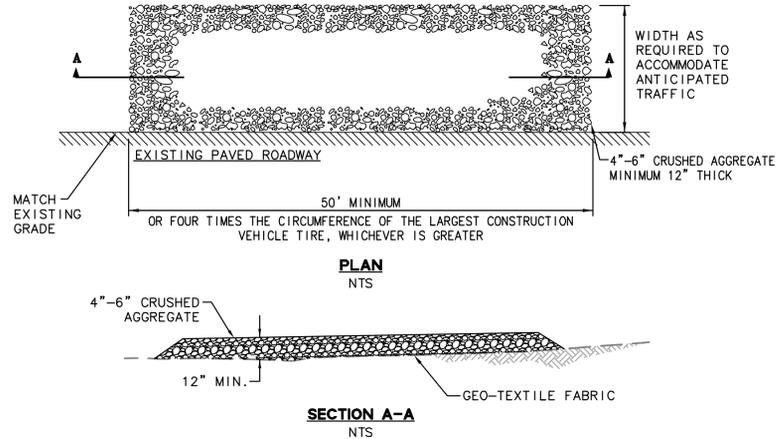
**LOT 11  
 CROSS SECTION A-A**  
 SCALE: 1"=10'



**EROSION CONTROL NOTES**

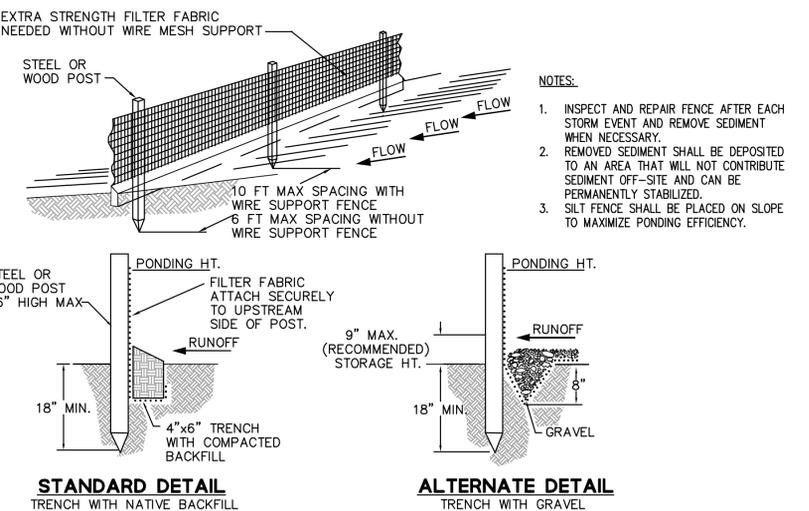
- ALL WORK SHALL BE DONE IN ACCORDANCE WITH THE PROJECT SPECIFICATIONS.
- ALTHOUGH SPECIFIC LOCATIONS FOR SEDIMENT CONTROL FACILITIES ARE SHOWN ON THESE PLANS, IT IS INTENDED THIS EROSION CONTROL PLAN BE MODIFIED WHEN NECESSARY TO MEET FIELD CONDITIONS. BASIN AND TRAP SIZES AND ELEVATIONS MAY BE ADJUSTED AS LONG AS THE MINIMUM AREAS AND DEPTHS FOR SEDIMENT SETTLING AND STORAGE ARE NOT REDUCED.
- THE INTENT OF THESE PLANS IS TO PROVIDE THE INITIAL CONCEPT FOR INTERIM EROSION CONTROL. THE CONTRACTOR SHALL UPDATE THE PLANS TO REFLECT CHANGING SITE CONDITIONS. PLAN UPDATES SHALL BE BASED UPON GENERAL SURVEY DATA. EROSION CONTROL EFFECTIVENESS SHALL ALSO BE MONITORED AND THE PLANS UPGRADED AS REQUIRED TO PREVENT SIGNIFICANT QUANTITIES OF SEDIMENT FROM ENTERING THE DOWNSTREAM DRAINAGE SYSTEM.
- THIS PLAN MAY NOT COVER ALL THE SITUATIONS THAT ARISE DURING CONSTRUCTION DUE TO UNANTICIPATED FIELD CONDITIONS. IN GENERAL, THE CONTRACTOR IS RESPONSIBLE FOR KEEPING THE STORM RUN OFF FROM LEAVING THE SITE. FIBER ROLLS, SAND BAGS, AND SILT FENCES SHALL BE USED BY THE CONTRACTOR ON AN AS NEEDED BASIS TO INHIBIT SILT FROM LEAVING THE SITE AND ENTERING THE STORM DRAIN SYSTEM. ALL EXISTING, TEMPORARY, OR PERMANENT CATCH BASINS SHALL USE ONE OF THE SEDIMENT BARRIERS SHOWN.
- THE CONTRACTOR WILL BE LIABLE FOR ANY AND ALL DAMAGES TO PUBLIC AND/OR PRIVATE OWNED AND MAINTAINED ROAD CAUSED BY THE CONTRACTOR'S GRADING ACTIVITIES, AND WILL BE RESPONSIBLE FOR THE CLEANUP OF ANY MATERIAL SPILLED ON ANY PUBLIC ROAD ON THE HAUL ROUTE. ADJACENT PUBLIC ROADS SHALL BE CLEANED AT THE END OF EACH WORKING DAY.
- BEST MANAGEMENT PRACTICES SHALL BE OPERABLE YEAR AROUND.
- DURING THE RAINY SEASON, ALL PAVED AREAS ARE TO BE KEPT CLEAR OF EARTH MATERIAL AND DEBRIS. THE SITE IS TO BE MAINTAINED SO AS TO MINIMIZE SEDIMENT-LADEN RUNOFF TO ANY STORM DRAIN SYSTEM.
- ALL EROSION CONTROL FACILITIES MUST BE INSPECTED AND REPAIRED DAILY DURING THE RAINY SEASON. ALL SLOPES SHALL BE REPAIRED AS SOON AS POSSIBLE WHEN DAMAGED.
- THE FIRST PHASE OF CONSTRUCTION SHALL REQUIRE 30 PERCENT OF CONSTRUCTION EQUIPMENT TO MEET TIER 1 EPA CERTIFICATION STANDARDS FOR CLEAN TECHNOLOGY. THE REMAINDER OF CONSTRUCTION EQUIPMENT (70 PERCENT), WHICH WOULD CONSIST OF OLDER TECHNOLOGIES, SHALL BE REQUIRED TO USE EMULSIFIED FUELS.
- THE SECOND PHASE OF CONSTRUCTION SHALL REQUIRE 30 PERCENT OF CONSTRUCTION EQUIPMENT TO MEET TIER 2 EPA CERTIFICATION STANDARDS FOR CLEAN TECHNOLOGY AND 50 PERCENT TO MEET TIER 1 EPA CERTIFICATION STANDARDS. THE REMAINING 20 PERCENT OF CONSTRUCTION EQUIPMENT, WHICH WOULD CONSIST OF OLDER TECHNOLOGIES, SHALL USE EMULSIFIED FUELS.
- FOR ALL LARGER VEHICLES, INCLUDING CEMENT MIXERS OR OTHER DEVICES THAT MUST BE DELIVERED BY LARGE TRUCKS, VEHICLES SHALL BE EQUIPPED WITH CAB LEVEL THREE VERIFIED CONTROL DEVICES.
- WATER ALL ACTIVE CONSTRUCTION AREAS AT LEAST TWICE DAILY.
- COVER ALL TRUCKS HAULING SOIL, SAND, AND OTHER LOOSE MATERIALS OR REQUIRE ALL TRUCKS TO MAINTAIN AT LEAST TWO FEET OF FREEBOARD.
- PAVE, APPLY WATER THREE TIMES DAILY, OR APPLY NON-TOXIC SOIL STABILIZERS ON ALL UNPAVED ACCESS ROADS, PARKING AREAS, AND STAGING AREAS AT THE CONSTRUCTION SITES.
- SWEEP DAILY (WITH WATER SWEEPERS) ALL PAVED ACCESS ROADS, PARKING AREAS, AND STAGING AREAS AT THE CONSTRUCTION SITES.
- SWEEP PUBLIC STREETS ADJACENT TO CONSTRUCTION SITES DAILY (WITH WATER SWEEPERS) IF VISIBLE SOIL MATERIAL IS CARRIED ONTO THE STREETS.
- HYDROSEED OR APPLY NON-TOXIC SOIL STABILIZERS TO INACTIVE CONSTRUCTION AREAS (PREVIOUSLY GRADED AREAS INACTIVE FOR TEN DAYS OR MORE).
- TEMPORARY AND PERMANENT SLOPES GREATER THAN 3 FEET SHALL BE SEEDED UNLESS ALTERNATIVE MEASURES ARE USED.
- SEED MIX FOR REVEGETATION AND HYDROSEEDING:  
NORTHERN CALIFORNIA COVER MIX BY ACBRIGHT OR EQUAL  
30% BLUE MILDREY  
30% MEADOW BARLEY  
20% ZORRO FESCUE  
10% PURPLE NEEDLE GRASS  
10% CALIFORNIA NATIVE WILDFLOWERS  
APPLY AT 40 POUNDS PER ACRE MINIMUM
- ENCLOSE, COVER, WATER TWICE DAILY, OR APPLY NON-TOXIC SOIL BINDERS TO EXPOSED STOCKPILES (DIRT, SAND, ETC.). LIMIT TRAFFIC SPEEDS ON UNPAVED ROADS TO 15 MILES PER HOUR.
- DISPOSAL AREAS FOR SEDIMENT TO BE DETERMINED IN FIELD. WHEN MATERIAL IS STOCKPILED, IT SHALL BE SURROUNDED BY A SILT FENCE/FIBER ROLLS.
- LIMIT TRAFFIC SPEEDS ON UNPAVED ROADS TO 15 MILES PER HOUR.
- INSTALL SANDBAGS OR OTHER EROSION CONTROL MEASURES TO PREVENT SILT RUNOFF TO PUBLIC ROADWAYS.
- REPLANT VEGETATION IN DISTURBED AREAS AS SOON AS POSSIBLE.
- INSTALL WHEEL WASHERS FOR ALL EXITING TRUCKS OR WASH OFF THE TIRES OR TRACKS OF ALL TRUCKS AND EQUIPMENT LEAVING THE CONSTRUCTION SITE.
- INSTALL WIND BREAKS AT THE WINDWARD SIDES OF THE CONSTRUCTION AREAS.
- SUSPEND EXCAVATION AND GRADING ACTIVITIES WHEN WIND (AS INSTANTANEOUS GUSTS) EXCEEDS 25 MILES PER HOUR.
- NO GRADING SHALL BE ALLOWED DURING THE WINTER SEASON (OCTOBER 15 TO APRIL 30) TO AVOID POTENTIAL SOIL EROSION UNLESS APPROVED, IN WRITING, BY THE COMMUNITY DEVELOPMENT DIRECTOR. THE PROPERTY OWNERS SHALL SUBMIT A LETTER TO THE CURRENT PLANNING SECTION, AT LEAST TWO WEEKS PRIOR TO COMMENCEMENT OF GRADING, STATING THE DATE WHEN GRADING WILL BEGIN.
- STABILIZE ALL DENUDED AREAS AND MAINTAIN EROSION CONTROL MEASURES CONTINUOUSLY BETWEEN OCTOBER 15 AND APRIL 30. STABILIZING SHALL INCLUDE BOTH PROACTIVE MEASURES, SUCH AS THE PLACEMENT OF STRAW BALES OR COIR NETTING, AND PASSIVE MEASURES, SUCH AS MINIMIZING VEGETATION REMOVAL AND REVEGETATING DISTURBED AREAS WITH VEGETATION THAT IS COMPATIBLE WITH THE SURROUNDING ENVIRONMENT.
- STORE, HANDLE, AND DISPOSE OF CONSTRUCTION MATERIALS AND WASTES PROPERLY, SO AS TO PREVENT THEIR CONTACT WITH STORMWATER.

- CONTROL AND PREVENT THE DISCHARGE OF ALL POTENTIAL POLLUTANTS, INCLUDING PAVEMENT CUTTING WASTES, PAINTS, CONCRETE, PETROLEUM PRODUCTS, CHEMICALS, WASH WATER OR SEDIMENTS, AND NON-STORMWATER DISCHARGES TO STORM DRAINS AND WATERCOURSES.
- USE SEDIMENT CONTROLS OR FILTRATION TO REMOVE SEDIMENT WHEN DEWATERING SITE AND OBTAINING ALL NECESSARY PERMITS.
- AVOID CLEANING, FUELING, OR MAINTAINING VEHICLES ON-SITE, EXCEPT IN A DESIGNATED AREA WHERE WASH WATER IS CONTAINED AND TREATED.
- DELINEATE WITH FIELD MARKERS CLEARING LIMITS, SETBACKS, AND DRAINAGE COURSES.
- PROTECT ADJACENT PROPERTIES AND UNDISTURBED AREAS FROM CONSTRUCTION IMPACTS USING VEGETATIVE BUFFER STRIPS, SEDIMENT BARRIERS OR FILTERS, DIKES, MULCHING, OR OTHER MEASURES AS APPROPRIATE.
- PERFORM CLEARING AND EARTH-MOVING ACTIVITIES ONLY DURING DRY WEATHER.
- LIMIT AND TIME APPLICATIONS OF PESTICIDES AND FERTILIZERS TO PREVENT POLLUTED RUNOFF.
- LIMIT CONSTRUCTION ACCESS ROUTES AND STABILIZE DESIGNATED ACCESS POINTS.
- ALL GRADED SURFACES AND MATERIALS, WHETHER FILLED, EXCAVATED, TRANSPORTED OR STOCKPILED, SHALL BE WETTED, PROTECTED OR CONTAINED IN SUCH A MANNER AS TO PREVENT ANY SIGNIFICANT NUISANCE FROM DUST, OR SPILLAGE UPON ADJOINING WATER BODY, PROPERTY, OR STREETS. EQUIPMENT AND MATERIALS ON THE SITE SHALL BE USED IN SUCH A MANNER AS TO AVOID EXCESSIVE DUST. A DUST CONTROL PLAN MAY BE REQUIRED AT ANYTIME DURING THE COURSE OF THE PROJECT.
- A DUST PALLIATIVE SHALL BE APPLIED TO THE SITE WHEN REQUIRED BY THE COUNTY. THE TYPE AND RATE OF APPLICATION SHALL BE RECOMMENDED BY THE SOILS ENGINEER AND APPROVED BY THE DEPARTMENT OF PUBLIC WORKS, THE PLANNING AND BUILDING DEPARTMENT'S GEOTECHNICAL SECTION, AND THE REGIONAL WATER QUALITY CONTROL BOARD.
- IF NO WORK HAS PROCEEDED FOR A PERIOD OF 6-WEEKS, FINAL DRAINAGE AND EROSION CONTROL IMPROVEMENTS SHALL BE INSTALLED IN ACCORDANCE WITH AN APPROVED WINTERIZATION PLAN.
- PADS SHALL BE GRADED TO MINIMIZE STANDING WATER. SPECIFIC LOCATIONS REQUIRING SUPPLEMENTAL GRADING TO ACHIEVE ACCEPTABLE DRAINAGE SHALL BE DETERMINED BY THE CONSTRUCTION MANAGER. ALL SPOILS AND SOIL STOCKPILES REMAINING ON SITE SHALL BE ENCLOSED BY SILT FENCES/FIBER ROLLS.
- STUBBED OUT ENDS OF PARTIALLY COMPLETED SUBDRAINS SHALL BE WRAPPED WITH AN APPROVED FABRIC TO PREVENT SOIL AND DEBRIS FROM ENTERING THE PIPE.
- HAUL ROADS ARE CURRENTLY NOT SHOWN ON THE PLANS. EROSION CONTROL MEASURES SHALL BE TAKEN TO MINIMIZE EROSION RELATED TO HAUL ROADS.
- GRADING SCHEDULE SHALL BE SUBMITTED FOR APPROVAL TO SAN MATEO COUNTY PUBLIC WORKS BY AUGUST 15.
- EROSION CONTROL POINT OF CONTACT:  
NOEL CHAMBERLAIN, NEXGEN BUILDERS INC.  
225 DEMETER STREET  
EAST PALO ALTO, CA 94303  
PHONE #: 650-322-5800  
CELL #: 650-444-3099  
EMAIL: noel@nexgenbuilders.com
- SHOULD IT APPEAR THAT THE EROSION CONTROL PLAN, OR ANY OTHER MATTER THERETO, IS NOT SUFFICIENTLY DETAILED OR EXPLAINED ON THESE PLANS, THE CONTRACTOR SHALL CONTACT THE BKF PROJECT ENGINEER AT (650) 482-6300 FOR SUCH FURTHER EXPLANATIONS AS MAY BE NECESSARY.
- AREAS DELINEATED ON PLANS FOR PARKING, CLEARING & GRUBBING, STORAGE, ETC. SHALL NOT BE ENLARGED OR "RUN OVER."
- CONSTRUCTION SITES ARE REQUIRED TO HAVE EROSION CONTROL MATERIALS ON-SITE DURING THE "OFF-SEASON."
- DUST CONTROL IS REQUIRED YEAR-ROUND.
- EROSION CONTROL MATERIALS SHALL BE STORED ON-SITE.
- USE OF PLASTIC SHEETING BETWEEN OCTOBER 1ST AND APRIL 30TH IS NOT ACCEPTABLE, UNLESS FOR USE ON STOCKPILES WHERE THE STOCKPILE IS ALSO PROTECTED WITH FIBER ROLLS CONTAINING THE BASE OF THE STOCKPILE.
- TREE PROTECTION SHALL BE IN PLACE BEFORE ANY GRADING, EXCAVATING OR GRUBBING IS STARTED.

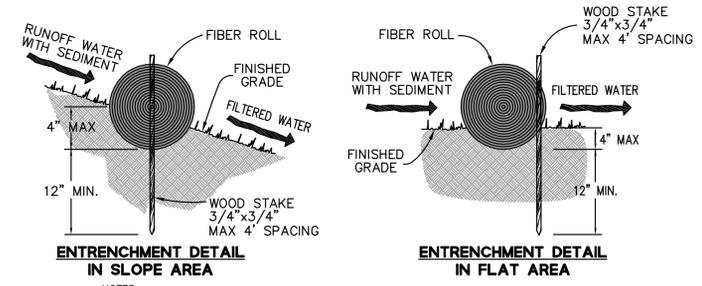


- NOTES:**
- ALL CONSTRUCTION ENTRANCES SHALL BE MAINTAINED IN A CONDITION THAT WILL PREVENT TRACKING OR FLOWING OF SEDIMENT ONTO PUBLIC RIGHT-OF-WAYS. THIS MAY REQUIRE PERIODIC TOP DRESSING WITH ADDITIONAL STONE AS CONDITIONS DEMAND, AND REPAIR AND/OR CLEANOUT OF ANY MEASURES USE TO TRAP SEDIMENT. ALL SEDIMENT SPILLED, DROPPED, WASHED, OR TRACKED ONTO PUBLIC RIGHT-OF-WAYS SHALL BE REMOVED IMMEDIATELY.
  - WHEELS SHALL BE CLEAN PRIOR TO ENTRANCE ONTO PUBLIC RIGHT-OF-WAYS. WHEN WASHING IS REQUIRED, IT SHALL BE DONE ON AN AREA STABILIZED WITH CRUSHED STONE THAT DRAINS INTO AN APPROVED SEDIMENT TRAP OR SEDIMENT BASIN. ALL SEDIMENT SHALL BE PREVENTED FROM ENTERING ANY STORM DRAIN, DITCH OR WATERCOURSE THROUGH USE OF INLET PROTECTION (E.G. SAND BAGS OR OTHER APPROVED METHODS).
  - THE MATERIAL FOR CONSTRUCTION OF THE PAD SHALL BE 4" TO 6" STONE.
  - THE THICKNESS OF THE PAD SHALL NOT BE LESS THAN 12".
  - THE WIDTH OF THE PAD SHALL NOT BE LESS THAN THE FULL WIDTH OF ALL POINTS OF INGRESS OR EGRESS.
  - THE LENGTH OF THE PAD SHALL NOT BE LESS THAN 50'.

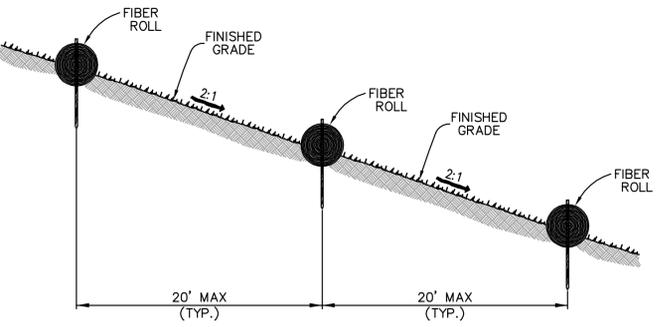
**1 STABILIZED CONSTRUCTION ENTRANCE**  
NTS



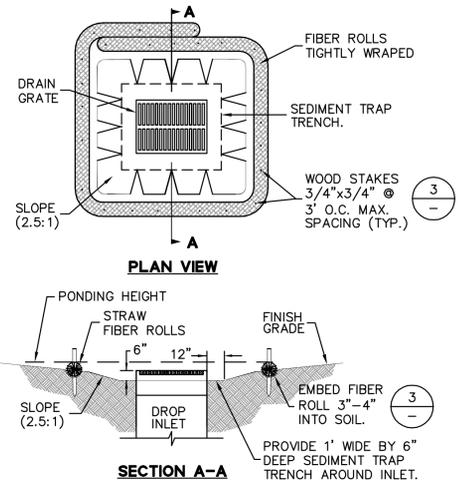
**2 SILT FENCE**  
NTS



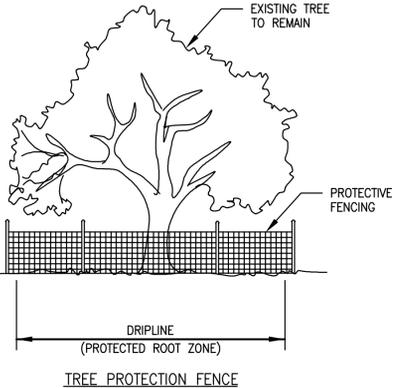
**3 FIBER ROLL**  
NTS



**4 FIBER ROLL INSTALLATION ON SLOPE**  
(TIME FRAME: BETWEEN FINAL PAVING OPERATIONS AND PROJECT COMPLETION)  
NTS



**5 SEDIMENT BARRIER**  
(TIME FRAME: AREA DRAINS - BETWEEN AREA DRAIN INSTALLATION AND PROJECT COMPLETION  
CURB INLETS - BETWEEN CURB INLET INSTALLATION AND FINAL PAVING OPERATIONS)  
NTS



**6 TREE PROTECTION FENCE**  
NTS

**CALIFORNIA STORMWATER QUALITY ASSOCIATION (CASQA) STANDARD DETAIL REFERENCES**

(CALIFORNIA STORMWATER BMP HANDBOOK CONSTRUCTION, DATED NOVEMBER 2009)  
NOTE: ALTHOUGH SPECIFIC LOCATIONS FOR SPECIFIC BMPS ARE SHOWN ON THESE PLANS, IT IS INTENDED FOR THE CONTRACTOR TO APPLY APPROPRIATE BMPS WHEN NECESSARY TO MEET FIELD CONDITIONS.

EROSION CONTROL BMPS:		TEMPORARY TRACKING CONTROL BMPS:	
EC-1	SCHEDULING	TC-1	STABILIZED CONSTRUCTION ENTRANCE/EXIT
EC-2	PRESERVATION OF EXISTING VEGETATION	TC-2	STABILIZED CONSTRUCTION ROADWAY
EC-3	HYDRAULIC MULCH	TC-3	ENTRANCE/OUTLET TIRE WASH
EC-4	HYDROSEEDING	<b>NON-STORMWATER MANAGEMENT BMPS:</b>	
EC-5	SOIL BINDERS	NS-1	WATER CONSERVATION PRACTICES
EC-6	STRAW MULCH	NS-2	DEWATERING OPERATIONS
EC-7	GEOTEXTILES & MATS	NS-3	PAVING AND GRINDING OPERATIONS
EC-8	WOOD MULCHING	NS-4	TEMPORARY STREAM CROSSING
EC-9	EARTH DIKES AND DRAINAGE SWALES	NS-5	CLEAR WATER DIVERSION
EC-10	VELOCITY DISSIPATION DEVICES	NS-6	ILLICIT CONNECTION/DISCHARGE
EC-11	SLOPE DRAINS	NS-7	POTABLE WATER/IRRIGATION
EC-12	STREAMBANK STABILIZATION	NS-8	VEHICLE AND EQUIPMENT CLEANING
EC-13	COMPOST BLANKETS	NS-9	VEHICLE AND EQUIPMENT FUELING
EC-14	SOIL PREPARATION/ROUGHENING	NS-10	VEHICLE AND EQUIPMENT MAINTENANCE
EC-15	NON-VEGETATIVE STABILIZATION	NS-11	PILE DRIVING OPERATIONS
EC-16	NON-VEGETATIVE STABILIZATION	NS-12	CONCRETE CURING
<b>TEMPORARY SEDIMENT CONTROL BMPS:</b>		NS-13	CONCRETE FINISHING
SE-1	SILT FENCE	NS-14	MATERIAL AND EQUIPMENT USE
SE-2	SEDIMENT BASIN	NS-15	DEMOLITION ADJACENT TO WATER
SE-3	SEDIMENT TRAP	NS-16	TEMPORARY BATCH PLANTS
SE-4	CHECK DAM	<b>WASTE MANAGEMENT &amp; MATERIALS POLLUTION CONTROL BMPS:</b>	
SE-5	FIBER ROLLS	WM-1	MATERIAL DELIVERY AND STORAGE
SE-6	GRAVEL BAG BERM	WM-2	MATERIAL USE
SE-7	STREET SWEEPING AND VACUUMING	WM-3	STOCKPILE MANAGEMENT
SE-8	SANDBAG BARRIER	WM-4	SPILL PREVENTION AND CONTROL
SE-9	STRAW BALE BARRIER	WM-5	SOLID WASTE MANAGEMENT
SE-10	STORM DRAIN INLET PROTECTION	WM-6	HAZARDOUS WASTE MANAGEMENT
SE-11	ACTIVE TREATMENT SYSTEMS	WM-7	CONTAMINATED SOIL MANAGEMENT
SE-12	TEMPORARY SILT DIKE	WM-8	CONCRETE WASTE MANAGEMENT
SE-13	COMPOST SOCKS AND BERMS	WM-9	SANITARY/SEPTIC WASTE MANAGEMENT
SE-14	BIOFILTER BAGS	WM-10	LIQUID WASTE MANAGEMENT
<b>WIND EROSION CONTROL BMPS:</b>			
WE-1	WIND EROSION CONTROL		

DRAWING NAME: K:\Projects\950168\dwg\CD\Lot\_11\11.60-HEDEC.dwg  
PLOT DATE: 11-29-16  
PLOTTED BY: Tcat

ALL EROSION CONTROL MEASURES SHALL BE IN PLACE BY OCTOBER 15 AND MAINTAINED DURING ALL PHASES OF CONSTRUCTION.

Date	Scale	Drawn	Approved	Job No.
11/29/2016	AS SHOWN	JT	LF	950168-20

Sheet Number: **C11.60**  
OF

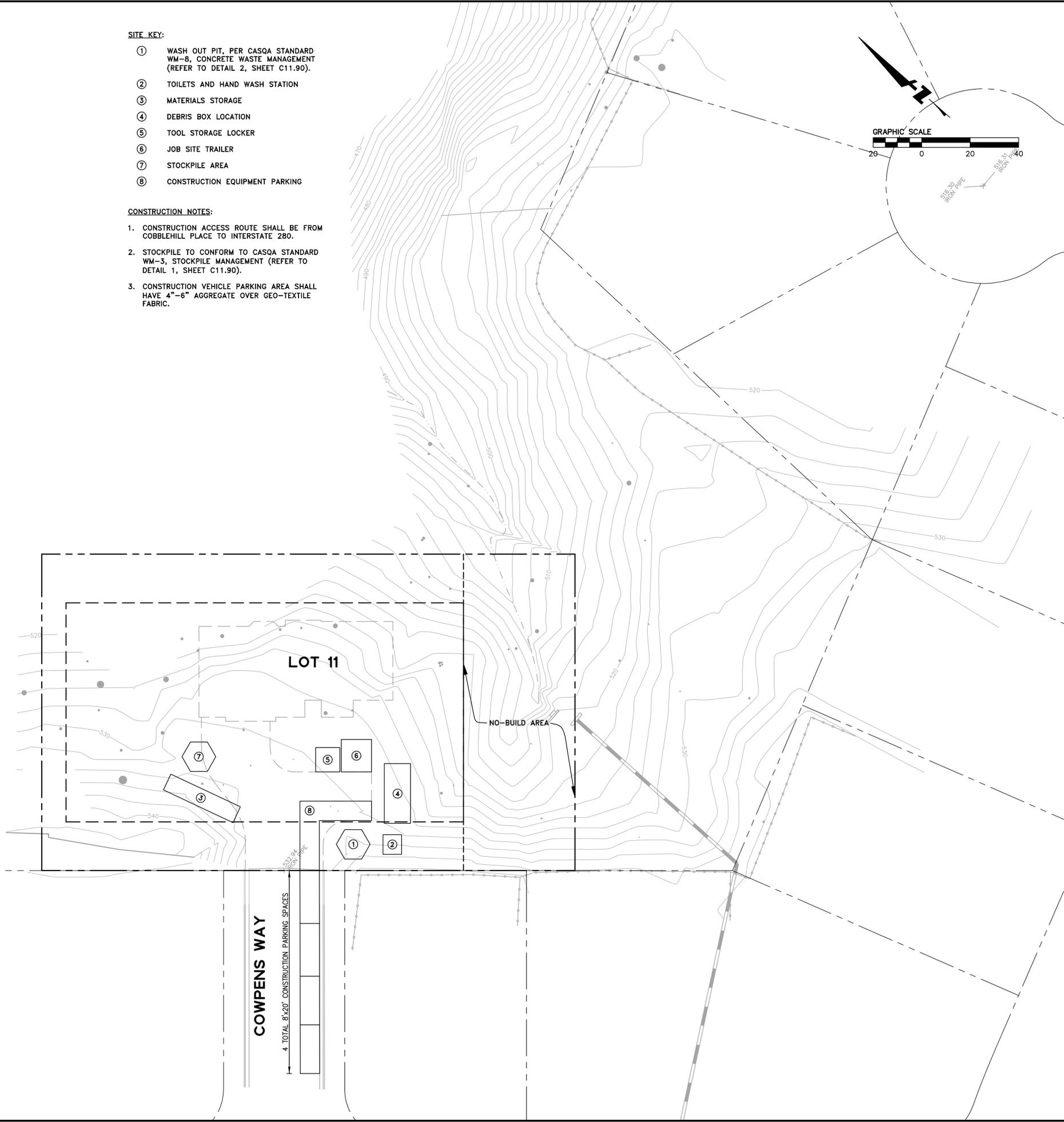




DRAWING NAME: K:\eng\950168\dwg\CD\Lot11\C11\_80-HECDLP.dwg  
 PLOT DATE: 11-29-16 PLOTTED BY: t.rat

- SITE KEY:**
- ① WASH OUT PIT, PER CASQA STANDARD WM-8, CONCRETE WASTE MANAGEMENT (REFER TO DETAIL 2, SHEET C11.90).
  - ② TOILETS AND HAND WASH STATION
  - ③ MATERIALS STORAGE
  - ④ DEBRIS BOX LOCATION
  - ⑤ TOOL STORAGE LOCKER
  - ⑥ JOB SITE TRAILER
  - ⑦ STOCKPILE AREA
  - ⑧ CONSTRUCTION EQUIPMENT PARKING

- CONSTRUCTION NOTES:**
1. CONSTRUCTION ACCESS ROUTE SHALL BE FROM COBBLEHILL PLACE TO INTERSTATE 280.
  2. STOCKPILE TO CONFORM TO CASQA STANDARD WM-3, STOCKPILE MANAGEMENT (REFER TO DETAIL 1, SHEET C11.90).
  3. CONSTRUCTION VEHICLE PARKING AREA SHALL HAVE 4"-6" AGGREGATE OVER GEO-TEXTILE FABRIC.

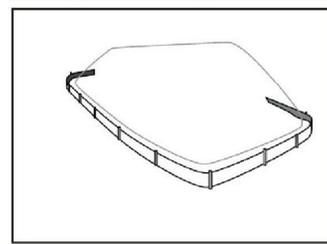


<p><b>HIGHLAND ESTATES</b>  <b>LOT 11 IMPROVEMENT PLANS</b>  <b>LOGISTICS PLAN</b></p> <p style="text-align: center;">SAN MATEO COUNTY                  CITY OF SAN MATEO</p>		<p>CALIFORNIA</p>								
<p><b>BKF</b>                  ENGINEERS / SURVEYORS / PLANNERS</p>		<p>255 SHORELINE DRIVE, SUITE 200                  REDWOOD CITY, CA 94065                  PHONE: (650) 482-6300                  FAX: (650) 482-6399</p>								
<p>REGISTERED PROFESSIONAL ENGINEER                  CIVIL                  No. 004971                  STATE OF CALIFORNIA</p>		<p>REVISIONS</p> <table border="1" style="width: 100%; border-collapse: collapse;"> <thead> <tr> <th>No.</th> <th>Date</th> <th>By</th> <th>Description</th> </tr> </thead> <tbody> <tr> <td> </td> <td> </td> <td> </td> <td> </td> </tr> </tbody> </table>	No.	Date	By	Description				
No.	Date	By	Description							
<p>Date: 11/29/2016                  Scale: 1"=20'                  Design: JT                  Drawn: LE                  Approved: RH                  Job No: 950168-20</p>		<p>Sheet Number:  <b>C11.80</b>                  OF</p>								

No.	Revisions
Date	Scale
11/29/2016	AS SHOWN
JT	Design
LE	Drawn
RH	Approved
50168-20	Job No.
Sheet Number:	
<b>C11.90</b>	
OF	

**Stockpile Management**

**WM-3**



**Categories**

EC	Erosion Control	
SE	Sediment Control	<input checked="" type="checkbox"/>
TC	Tracking Control	
WE	Wind Erosion Control	
NS	Non-Stormwater Management Control	<input checked="" type="checkbox"/>
WM	Waste Management and Materials Pollution Control	<input checked="" type="checkbox"/>

**Legend:**  
 Primary Category  
 Secondary Category

**Description and Purpose**  
 Stockpile management procedures and practices are designed to reduce or eliminate air and stormwater pollution from stockpiles of soil, soil amendments, sand, paving materials such as portland cement concrete (PCC) rubble, asphalt concrete (AC), asphalt concrete rubble, aggregate base, aggregate sub base or pre-mixed aggregate, asphalt binder (so called "cold mix" asphalt), and pressure treated wood.

**Suitable Applications**  
 Implement in all projects that stockpile soil and other loose materials.

- Limitations**
- Plastic sheeting as a stockpile protection is temporary and hard to manage in windy conditions. Where plastic is used, consider use of plastic tarps with nylon reinforcement which may be more durable than standard sheeting.
  - Plastic sheeting can increase runoff volume due to lack of infiltration and potentially cause perimeter control failure.
  - Plastic sheeting breaks down faster in sunlight.
  - The use of plastic materials should be avoided when feasible and photodegradable plastics should not be used.

**Implementation**  
 Protection of stockpiles is a year-round requirement. To properly manage stockpiles:

**Targeted Constituents**

Sediment	<input checked="" type="checkbox"/>
Nutrients	<input checked="" type="checkbox"/>
Trash	<input checked="" type="checkbox"/>
Metals	<input checked="" type="checkbox"/>
Bacteria	<input checked="" type="checkbox"/>
Oil and Grease	<input checked="" type="checkbox"/>
Organics	<input checked="" type="checkbox"/>

**Potential Alternatives**  
 none



**Stockpile Management**

**WM-3**

- On larger sites, a minimum of 50 ft separation from concentrated flows of stormwater, drainage courses, and inlets is recommended.
- All stockpiles are required to be protected immediately if they are not scheduled to be used within 14 days.
- Protect all stockpiles from stormwater run-on using temporary perimeter sediment barriers such as compost berms (SE-13), temporary silt dikes (SE-12), fiber rolls (SE-5), silt fences (SE-1), sandbags (SE-8), gravel bags (SE-6), or biofilter bags (SE-14). Refer to the individual fact sheet for each of these controls for installation information.
- Implement wind erosion control practices as appropriate on all stockpiled material. For specific information, see WE-1, Wind Erosion Control.
- Manage stockpiles of contaminated soil in accordance with WM-7, Contaminated Soil Management.
- Place bagged materials on pallets and under cover.
- Ensure that stockpile coverings are installed securely to protect from wind and rain.
- Some plastic covers withstand weather and sunlight better than others. Select cover materials or methods based on anticipated duration of use.

**Protection of Non-Active Stockpiles**  
 Non-active stockpiles of the identified materials should be protected further as follows:

- Soil stockpiles**
- Cover and protect soil stockpiles with soil stabilization measures and a temporary perimeter sediment barrier at all times.
  - Consider temporary vegetation for topsoil piles that will be stockpiled for extended periods.
- Stockpiles of Portland cement concrete rubble, asphalt concrete, asphalt concrete rubble, aggregate base, or aggregate sub base**
- Provide covers and protect these stockpiles with a temporary perimeter sediment barrier at all times.
- Stockpiles of "cold mix"**
- Cover cold mix stockpiles and place them on plastic sheeting (or comparable material) and surround the stockpiles with a berm all times.
- Stockpiles of fly ash, stucco, hydrated lime**
- Cover stockpiles of materials that may raise the pH of runoff (i.e., basic materials) with plastic and surround the stockpiles with a berm at all times.

**WM-3 - STOCKPILE MANAGEMENT**  
 NTS

**Stockpile Management**

**WM-3**

**Stockpiles/Storage of wood (Pressure treated with chromated copper arsenate or ammoniacal copper zinc arsenate)**

- Cover treated wood with plastic sheeting (or comparable material) and surround with a berm at all times.

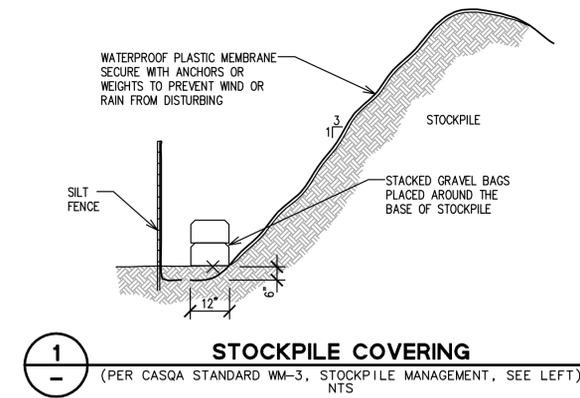
**Protection of Active Stockpiles**  
 Active stockpiles of the identified materials should be protected as follows:

- All stockpiles should be covered and protected with a temporary linear sediment barrier prior to the onset of precipitation.
- Stockpiles of "cold mix" and treated wood, and basic materials should be placed on and covered with plastic sheeting or comparable material and surrounded by a berm prior to the onset of precipitation.
- The downstream perimeter of an active stockpile should be protected with a linear sediment barrier or berm and runoff should be diverted around or away from the stockpile on the upstream perimeter.

**Costs**  
 For cost information associated with stockpile protection refer to the individual erosion or sediment control BMP fact sheet considered for implementation (For example, refer to SE-1 Silt Fence for installation of silt fence around the perimeter of a stockpile.)

- Inspection and Maintenance**
- Stockpiles must be inspected in accordance with General Permit requirements for the associated project type and risk level. It is recommended that at a minimum, BMPs be inspected weekly, prior to forecasted rain events, daily during extended rain events, and after the conclusion of rain events.
  - It may be necessary to inspect stockpiles covered with plastic sheeting more frequently during certain conditions (for example, high winds or extreme heat).
  - Repair and/or replace perimeter controls and covers as needed to keep them functioning properly.
  - Sediment shall be removed when it reaches one-third of the barrier height.

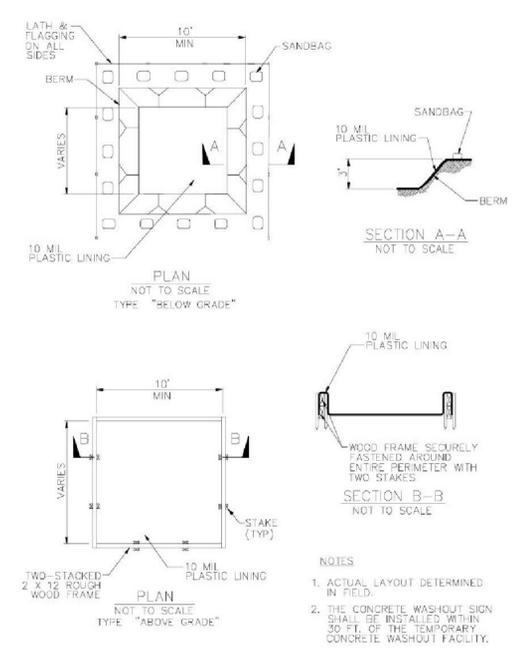
**References**  
 Stormwater Quality Handbooks - Construction Site Best Management Practices (BMPs) Manual, State of California Department of Transportation (Caltrans), March 2003.



**1**  
**STOCKPILE COVERING**  
 (PER CASQA STANDARD WM-3, STOCKPILE MANAGEMENT, SEE LEFT)  
 NTS

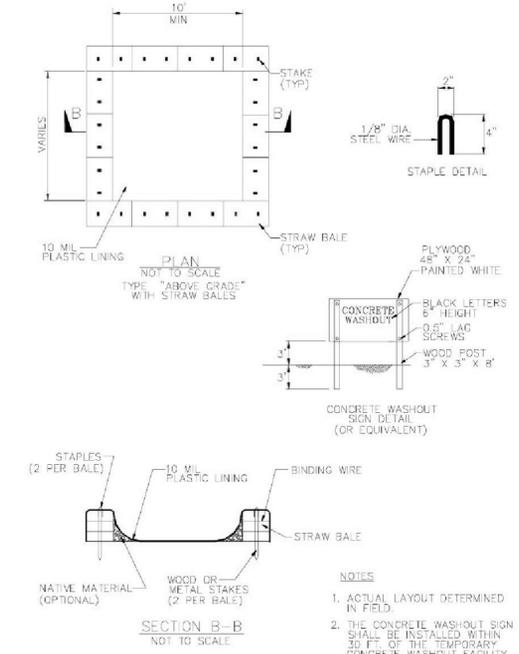
**Concrete Waste Management**

**WM-8**

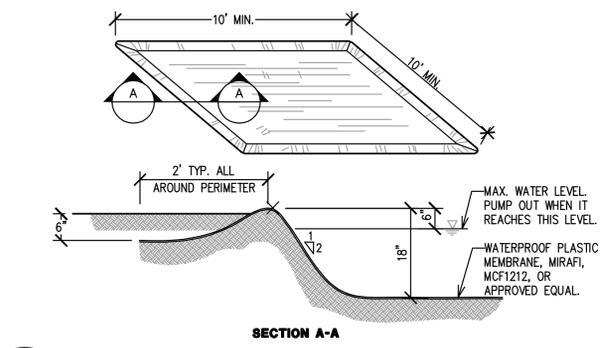


**Concrete Waste Management**

**WM-8**



**WM-8 - CONCRETE WASTE MANAGEMENT**  
 NTS



**2**  
**TEMPORARY WASHOUT PIT**  
 (PER CASQA STANDARD WM-8, CONCRETE WASTE MANAGEMENT, SEE LEFT)  
 NTS